

SERVICE PARTS LIST FOR MITSUBISHI ELECTRIC PACKAGED AIR-CONDITIONERS

Series : PQHY-P·YHM-A(-H)

June 2009

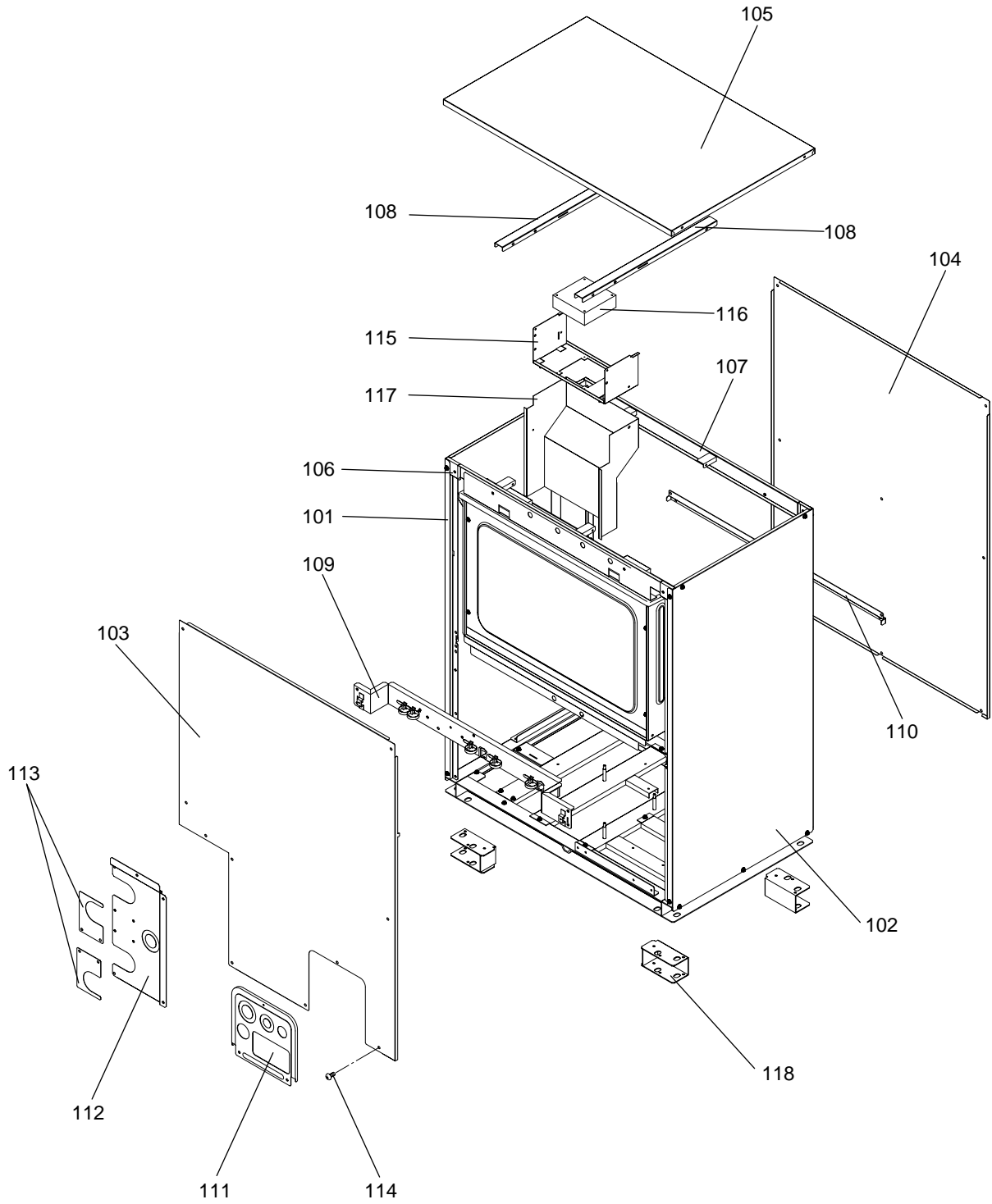
BWE09050

INDEX
PQHY-P200YHM-A
PQHY-P250YHM-A
PQHY-P300YHM-A
PQHY-P200YHM-A-H
PQHY-P250YHM-A-H
PQHY-P300YHM-A-H

The Package name list	
PQHY-P400YSHM-A	[PQHY-P200YHM-A+PQHY-P200YHM-A]
PQHY-P450YSHM-A	[PQHY-P200YHM-A+PQHY-P250YHM-A]
PQHY-P500YSHM-A	[PQHY-P250YHM-A+PQHY-P250YHM-A]
PQHY-P550YSHM-A	[PQHY-P250YHM-A+PQHY-P300YHM-A]
PQHY-P600YSHM-A	[PQHY-P300YHM-A+PQHY-P300YHM-A]
PQHY-P400YSHM-A-H	[PQHY-P200YHM-A-H+PQHY-P200YHM-A-H]
PQHY-P450YSHM-A-H	[PQHY-P200YHM-A-H+PQHY-P250YHM-A-H]
PQHY-P500YSHM-A-H	[PQHY-P250YHM-A-H+PQHY-P250YHM-A-H]
PQHY-P550YSHM-A-H	[PQHY-P250YHM-A-H+PQHY-P300YHM-A-H]
PQHY-P600YSHM-A-H	[PQHY-P300YHM-A-H+PQHY-P300YHM-A-H]

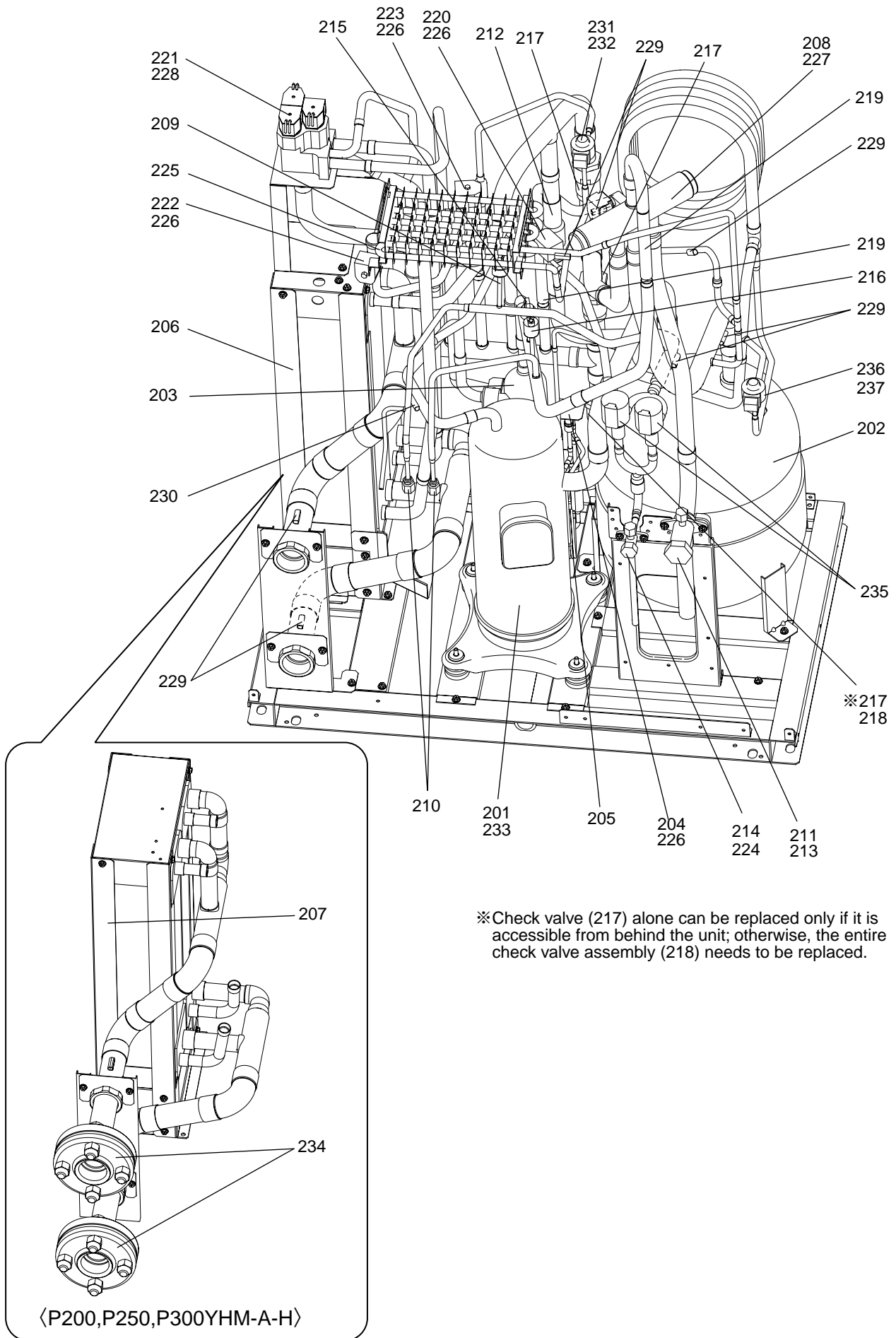
PQHY-P200,P250,P300YHM-A
PQHY-P200,P250,P300YHM-A-H

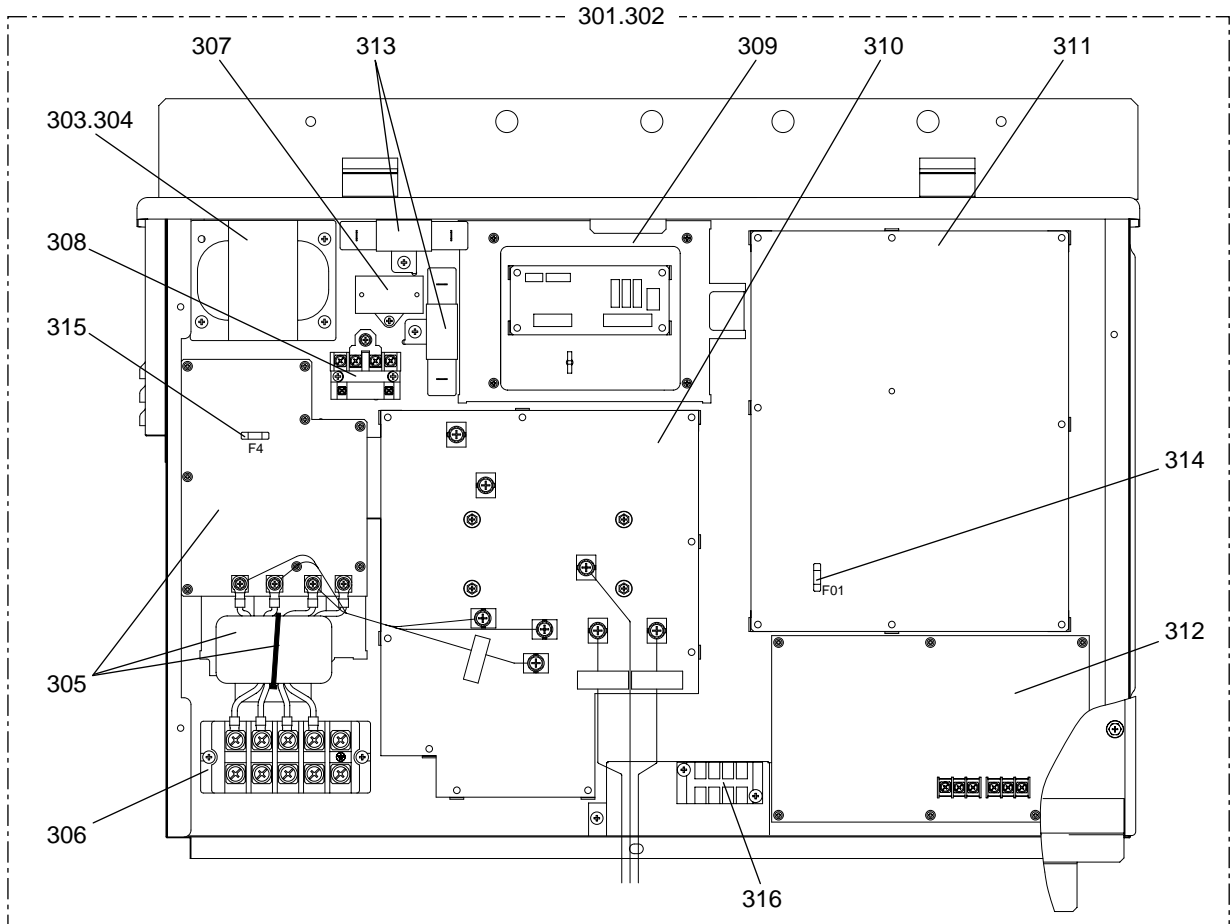
EXTERNAL PARTS



PQHY-P200,P250,P300YHM-A
 PQHY-P200,P250,P300YHM-A-H

FUNCTIONAL PARTS





No.	Part No.	G : RoHS Apply Only W: RoHS Apply by Running Change		Spec.	PQHY-P200YHM-A	PQHY-P250YHM-A	PQHY-P300YHM-A	PQHY-P200YHM-A-H	PQHY-P250YHM-A-H	PQHY-P300YHM-A-H	Dwg. No.	Price	Revision History
		Part Name											
301	R61 199 305	G	Control box	WY250YHM	1	1		1	1		KE80C152G73		
302	R61 200 305	G	Control box	WY300YHM			1			1	KE80C152G75		
303	R61 017 259	G	Reactor	<DCL>	1	1		1	1		P715458X01		
304	R61 010 259	G	Reactor	<DCL>			1			1	P715439X02		
305	R61 003 293	G	Noise filter	<Noise Filter,L>	1	1	1	1	1	1	KE80C155G01		
306	R61 007 246	G	Terminal block	<TB1>	1	1	1	1	1	1	S436005H12		
307	R61 001 255	G	Capacitor assy	<C100>	1	1	1	1	1	1	KE00D263G01		
308	R61 003 216	G	Relay	<72C>	1	1	1	1	1	1	P421295X01		
309	R63 Y55 280	G	Relay board		1	1	1	1	1	1	W629574G01		
310	R61 038 280	G	INV board		1	1	1	1	1	1	KE80C154G01		
311	R61 036 281	G	Control board		1	1	1	1	1	1	KE80C153G62		
312	R61 118 280	G	M-NET board		1	1	1	1	1	1	KE80C055G05		
313	R61 001 234	G	Resistor	<R1>,<R5>	2	2	2	2	2	2	P411151X01		
314	R61 005 239	G	Fuse	3.15A AC250V T	1	1	1	1	1	1	S423001H39		
315	R63 993 964	G	Fuse	6.3A AC250V T	1	1	1	1	1	1	S423001H30		
316	R61 019 246	G	Terminal block	<TB8>	1	1	1	1	1	1	S436005H15		

